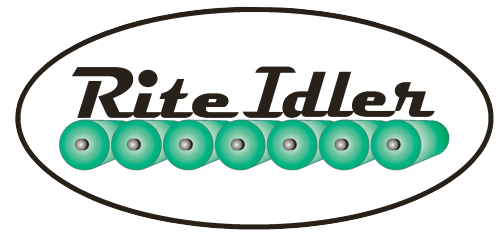
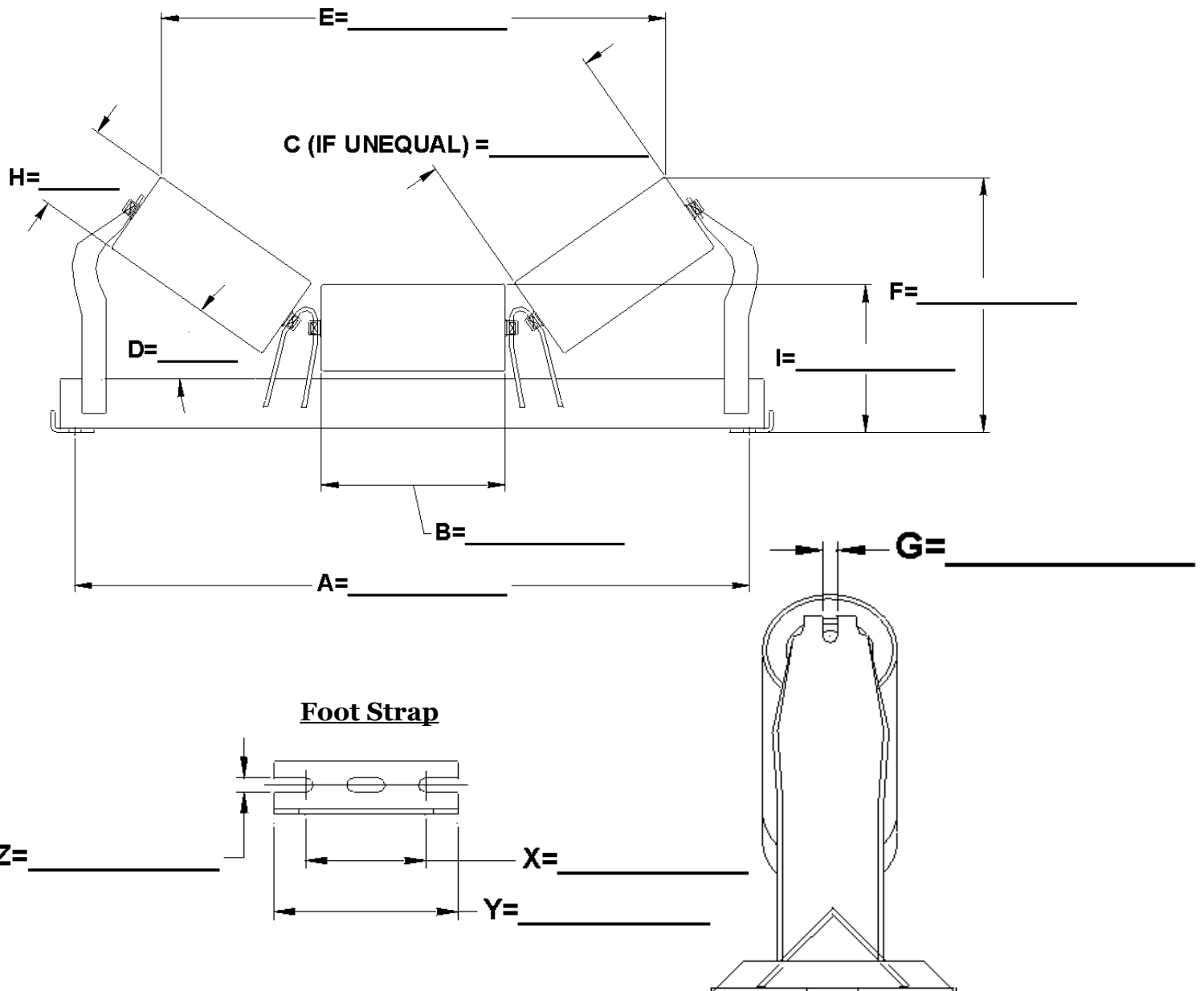


Idler Dimension Sheet



Please fill out and submit the following dimension sheet to ensure our technical specialists provide you with the **Rite** choice of product. If you have any questions on how to measure the idler properly please refer to our quick reference guide or our step-by-step guide. If you are still having problems feel free to contact us directly at any time.

Name: _____	
Company: _____	
Conveyor: _____	
Phone: _____	Fax: _____
Email: _____	



Original Manufacturer (if known): _____