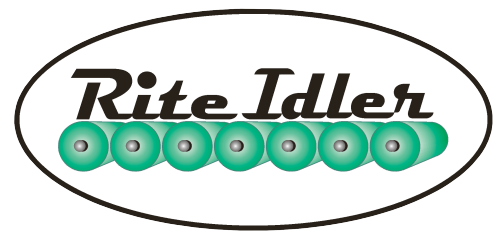
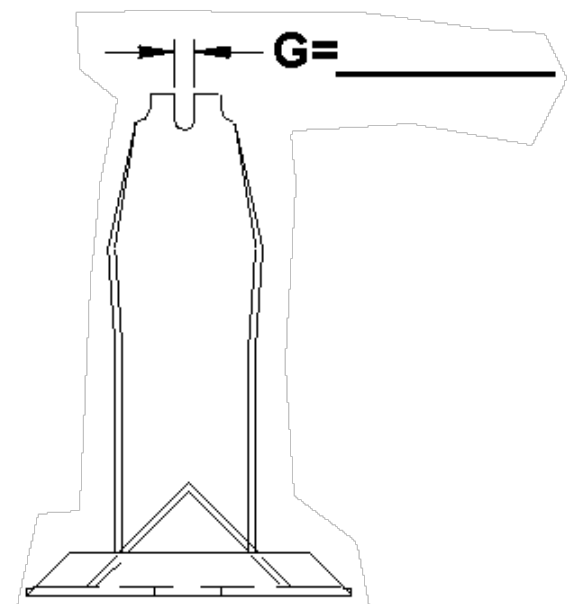
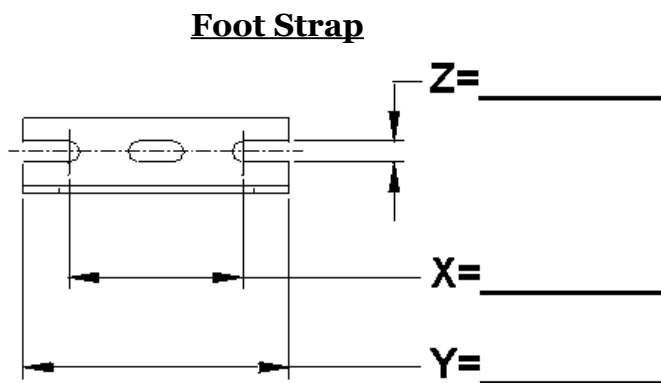
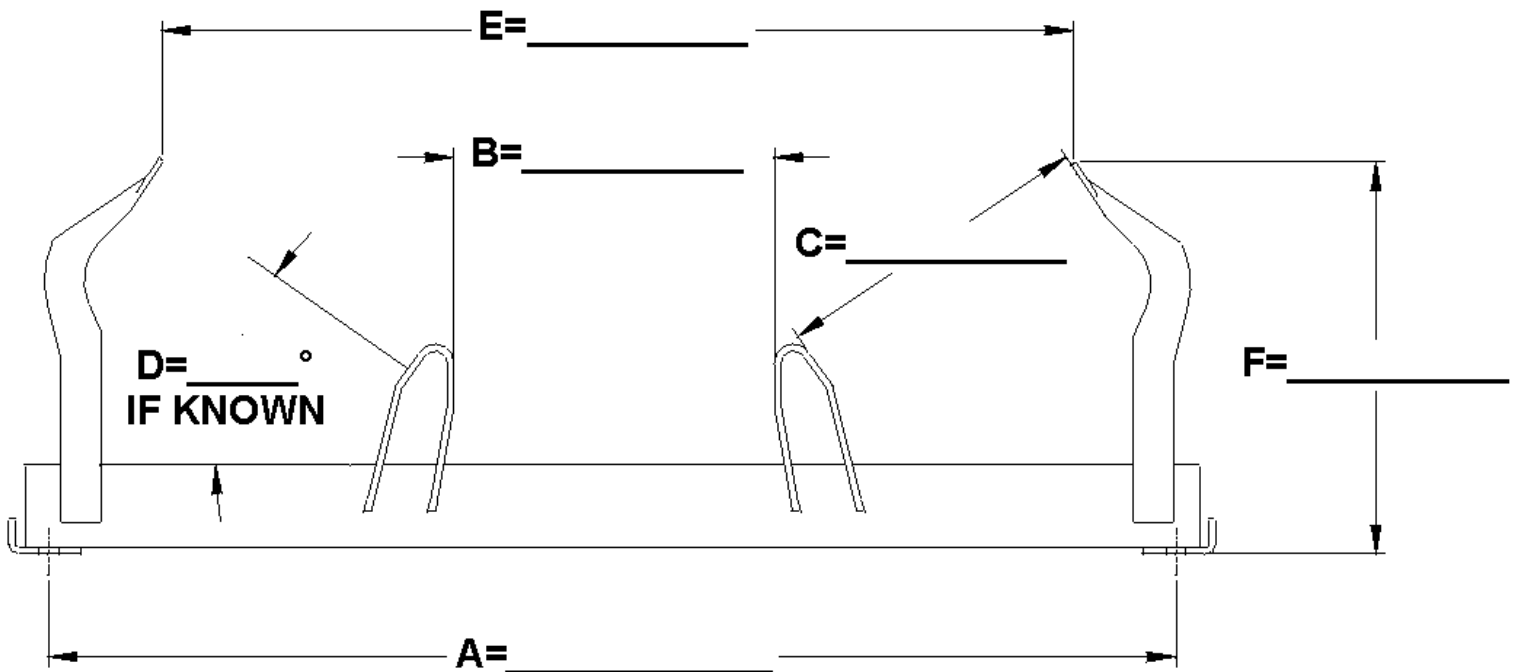


Frame Dimension Sheet



Please fill out and submit the following dimension sheet to ensure our technical specialists provide you with the *Rite* choice of product. If you have any questions on how to measure the frame properly please refer to our quick reference guide or our step-by-step guide. If you are still having problems feel free to contact us directly at any time.

Name:	
Company:	
Conveyor:	
Phone:	Fax:
Email:	



Original Manufacturer (if known): _____